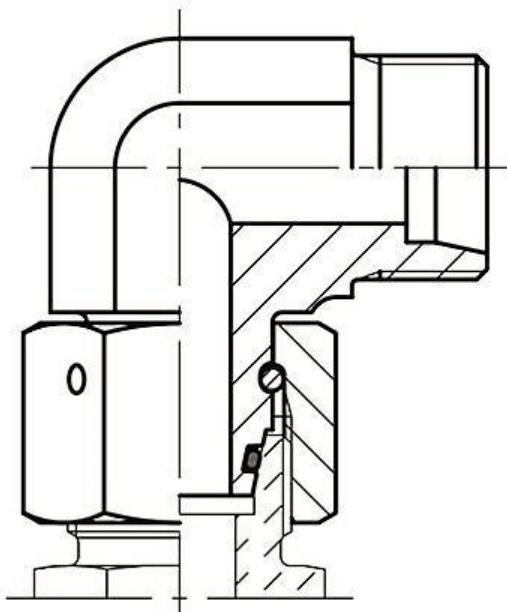


## DIN Swivel Fitting/ DKO Swivel Connector



**Industry Standard:**

**DIN 3865/ DIN 2353 / ISO 8434-4**

**Design Type:**

**DKO Swivel with O-ring SWO**

**Material:**

**Carbon Steel/Stainless Steel**

**Finish:**

**Zinc Plated/ZnNi Alloy**

**Body Type:**

**Straight(S),Elbow(E),Tee(T)**

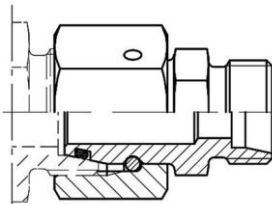
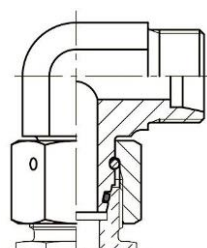
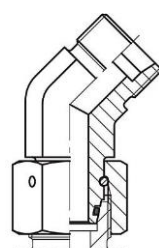
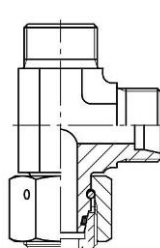
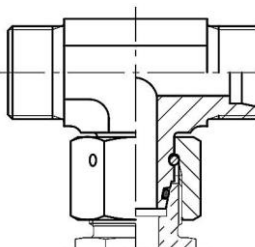
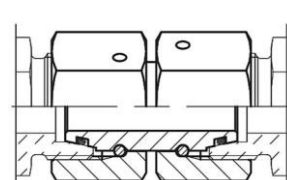
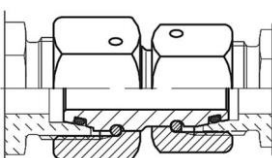
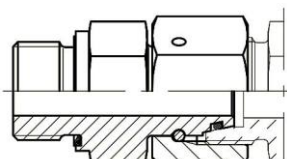
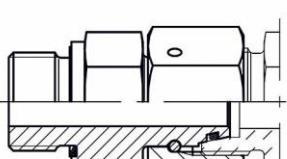


**DIN Swivel Fittings Introduction**

DIN swivel fittings is most popular Ermeto adjustable high pressure tube fittings, it is often found in the work of connection straight stud connector to hydraulic tube or hose assemble.

**Overview shapes Of DIN Swivel Fittings**

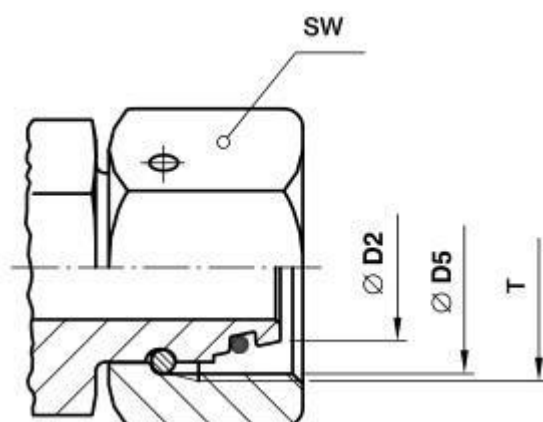
Tube or stud to swivel connector is made of these shapes(ISO-Parker-Eaton series no), from hex bar or forging body as follows:

<p><b>Straight (RDSW/RED/2C)</b></p> 	<p><b>Elbow (SWOE/EW/2C9)</b></p> 	<p><b>Elbow (SWOE45/EV/2C4)</b></p> 
<p><b>Tee (SWORT/EL/CC)</b></p> 	<p><b>Tee (SWOBT/ET/BC)</b></p> 	<p><b>Straight Union(GZ/3C)</b></p> 
<p><b>Reducer(GZR/3C)</b></p> 	<p><b>Metric Stud(SWOSDS/EGE-M-ED/2MC-WD)</b></p> 	<p><b>BSP Stud(SWOSDS/EGE-R-ED/2BC-WD)</b></p> 



**Dimensions Of DIN 24 degree swivel fittings and torque of assemble DKO**

Deign is thrust wire nut, 24 degree cone with o-ring nipple, meet DIN 3865/DIN EN ISO 8434-4.



Tube O.D.Size	T	Ø D2 mm	Ø D5 mm Thread corediameter	SW mm	Torque of assemble DKO
L SERIES					
06-L	M 12×1.5	5.5	10.38	14	
08-L	M 14×1.5	7.5	12.38	17	
10-L	M 16×1.5	9.7	14.38	19	
12-L	M 18×1.5	11.7	16.38	22	
15-L	M 22×1.5	14.7	20.38	27	
18-L	M 26×1.5	17.7	24.38	32	
22-L	M 30×2	21.7	27.84	36	
28-L	M 36×2	27.7	33.84	41	
35-L	M 45×2	34.5	42.84	50	
42-L	M 52×2	41.5	49.84	60	
S SERIES					
06-S	M 14×1.5	5.5	12.38	17	
08-S	M 16×1.5	7.5	14.38	19	
10-S	M 18×1.5	9.7	16.38	22	
12-S	M 20×1.5	11.7	18.38	24	
14-S	M 22×1.5	13.5	20.38	27	
16-S	M 24×1.5	15.5	22.38	30	
20-S	M 30×2	19.5	29.84	36	
25-S	M 36×2	24.5	33.84	46	
30-S	M 42×2	29.5	39.84	50	
38-S	M 52×2	37.5	49.84	60	

**DIN Swivel Fitting/ DKO Swivel Connector**

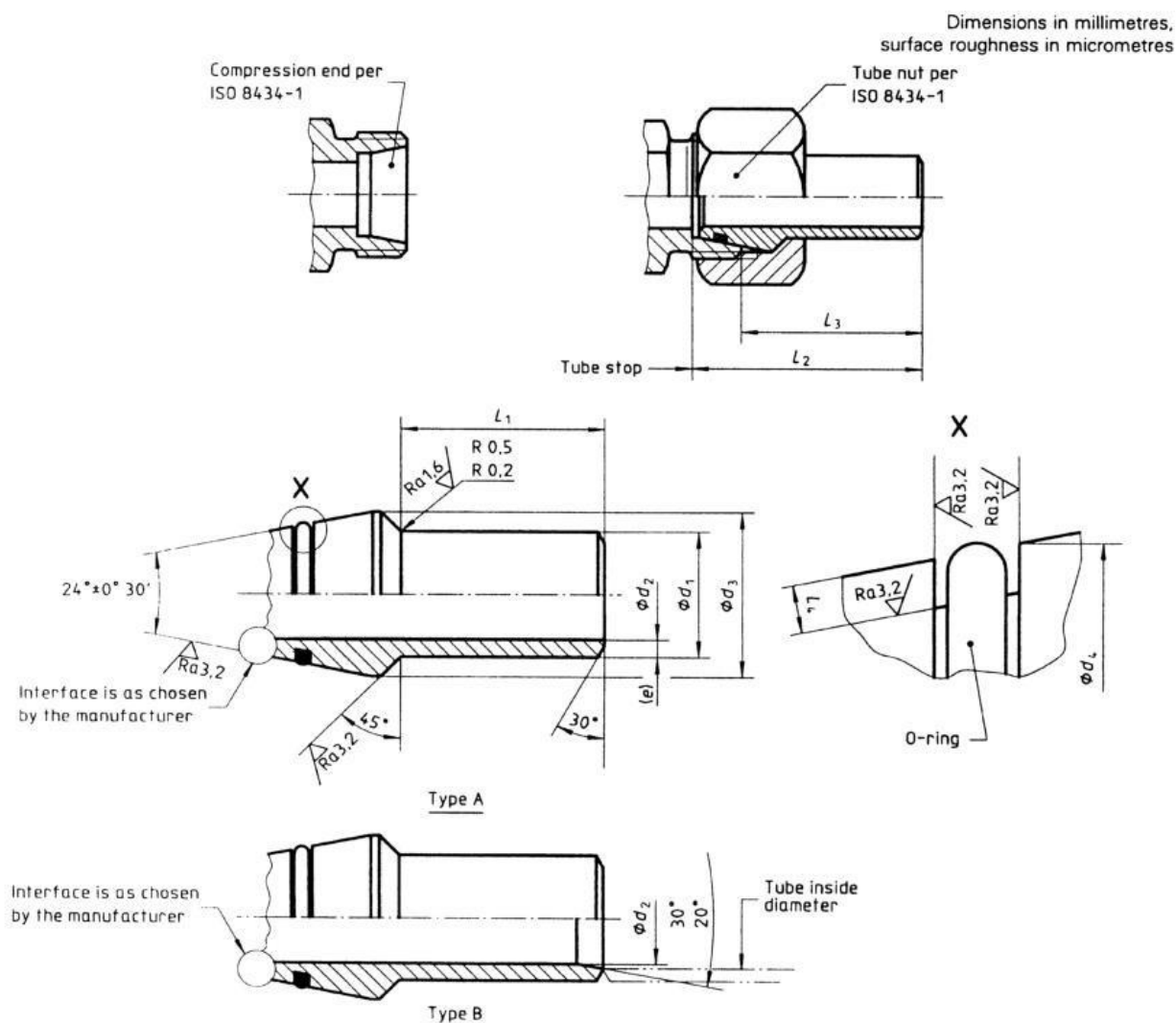
**Functions of DKO swivel connector Technology**

Double sealing with o-ring and metallic cone  
 Long-lasting seal of this connection for vibration situation  
 High cost effective by less maintenance, easy to assembly.

**Technical Specifications**

Materials of Construction: Steel, Stainless steel  
 Product Series: Light and Heavy  
 Tube Outside Diameter: 6-42 mm  
 Maximum Operating Temperature: +250 Steel, +400 Stainless Steel °C, +482 Steel, +752 Stainless Steel °F  
 Maximum Operating Pressure: 16-80 MPa, 160-800 bar, 2321-11603 psi  
 Connection Type: Bite Type, Soft Seal Bite Type  
 Minimum Operating Temperature: -40 (Steel); -60 (Stainless Steel) °C, -40 Steel, -76 Stainless Steel °F  
 Application: Agriculture Equipment, Automotive Process, Chemical Transfer, Construction Equipment, Fuel transfer, Hydraulic, Manufacturing Equipment, Marine, Material Handling, Mobile Equipment, Oilfield, Packaging, Transportation

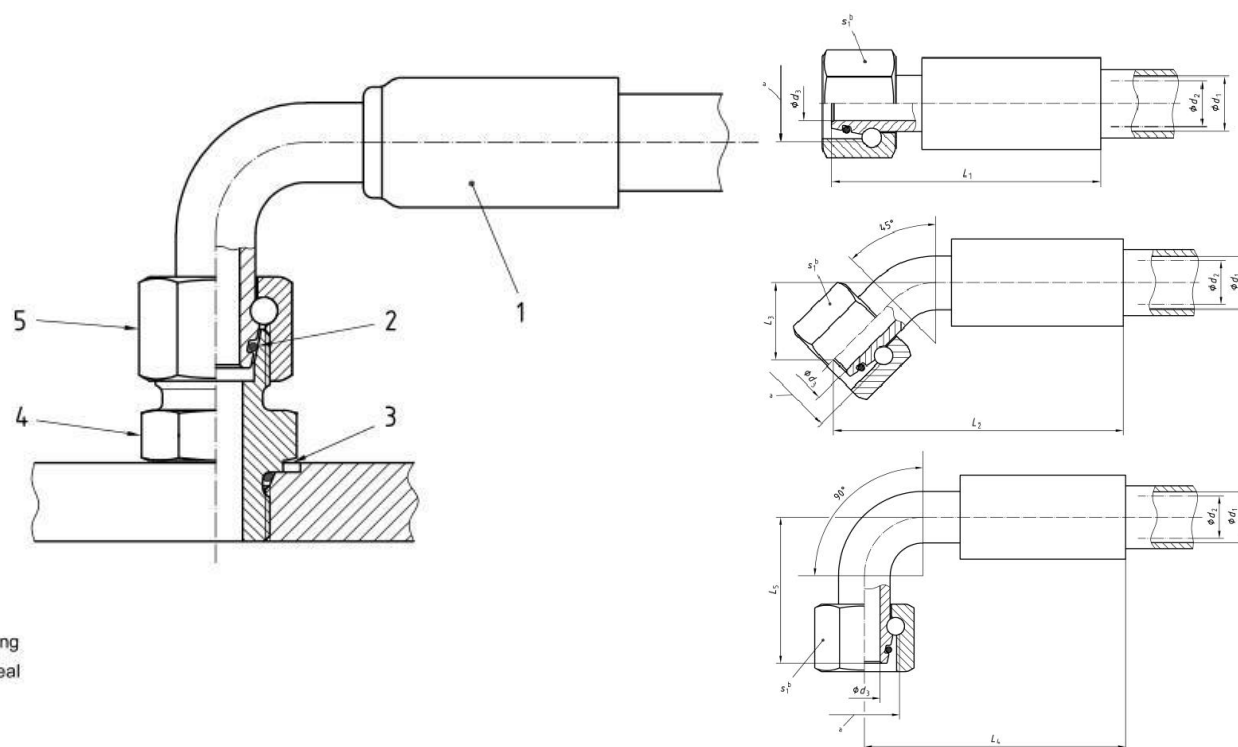
**Technical dimensions of 24 degree cone fitting with o-ring weld-on nipple as per ISO 8434-4 and DIN 3865**



Series	Tube OD	d1 ±0.1	d2 +0.20 -0.05	d3 min.	d3 max.	d4 max.	L1 +0.2	L2 ±-1	L3 ±-1	L4 ±0.1
L	15	15	10	18	20	17	22	35	28	1.5
	18	18	13	21	24	20	23	37	29.5	1.5
	22	22	17	25	27	24	24.5	39.5	32	1.5
	28	28	23	31	33	30	27.5	42.5	35	1.5
	35	35	29	40	42	37.7	30.5	49.5	39	1.9
	42	42	36	47	49	44.7	30.5	50	39	1.9
S	6	6	2.5	9	11	7.8	19	32	25	1.1
	8	8	4	11	13	9.8	19	32	25	1.1
	10	10	6	14	16	12	20	33.5	26	1.1
	12	12	8	16	18	14	20	33.5	26	1.1
	16	16	11	20	22	18	26	40.5	32	1.5
	20	20	14	24	27	22.6	28.5	47	36.5	1.8
	25	25	19	29	33	27.6	33.5	53.5	41.5	1.8
	30	30	24	35	39	32.7	35.5	57.5	44	1.8
	38	38	32	43	49	40.7	39.5	64.5	48.5	1.8

**DIN swivel nut end combination type of hose fitting**

**ISO 12151-2 Hose fittings with ISO 8434-4 24° cone connector ends with O-rings**



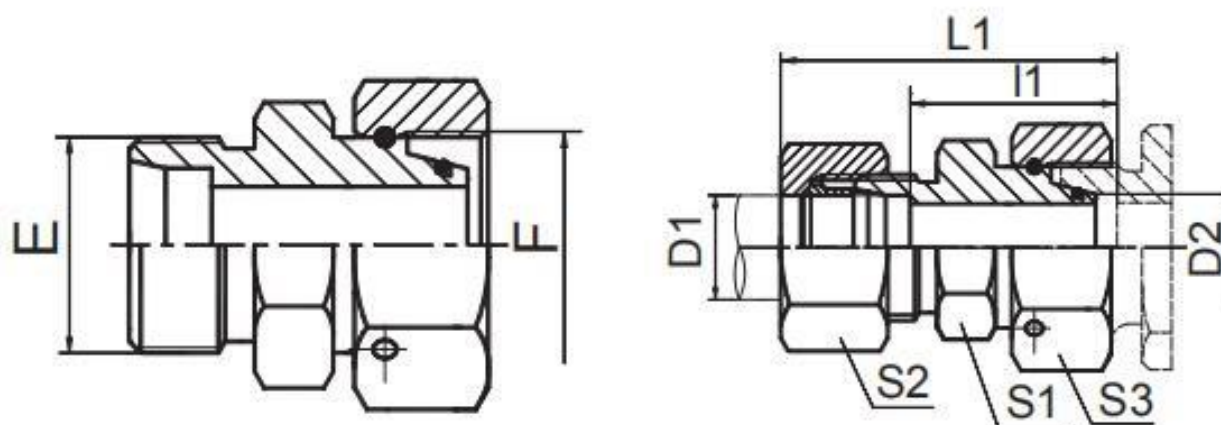
**Key**

- 1 hose fitting
- 2 O-ring seal
- 3 port
- 4 adapter
- 5 nut



## DIN Swivel Fitting/ DKO Swivel Connector

### 2C/2D Dimension sheet of tube to swivel straight connector



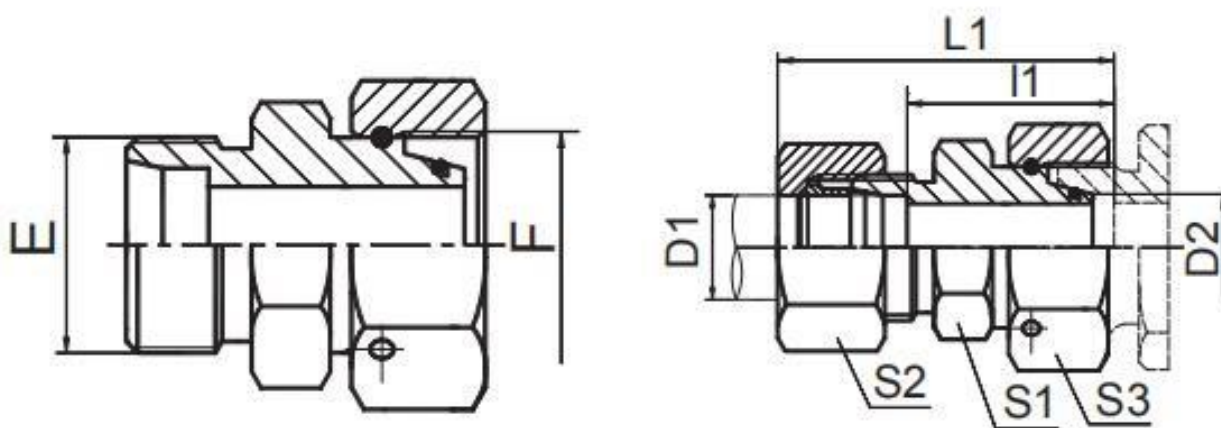
REF: ISO 8434-1 RSW/ DIN 3865/DIN 2353; Interchangeable into Parker RED

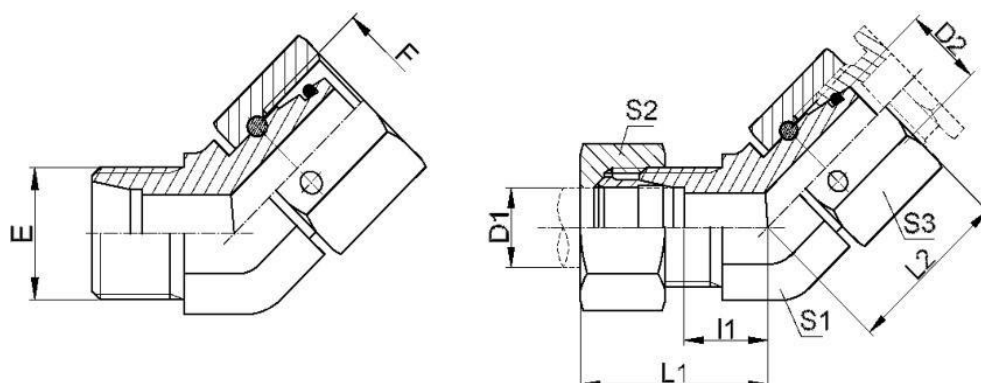
PART NO.	THREAD		TUBE O.D.		DIMENSIONS					weight	Parker No.
	E	F	D1	D2	l1	L1	S1	S2	S3	g/1pc	
2C-12-14	M12X1.5	M14X1.5	6	8	23.5	38	12	14	17	29	RED08/06LOMD
2C-12-16	M12X1.5	M16X1.5	6	10	25	40	14	14	19	36	RED10/06LOMD
2C-14-16	M14X1.5	M16X1.5	8	10	25	40	14	17	19	38	RED10/08LOMD
2C-12-18	M12X1.5	M18X1.5	6	12	25	40	17	14	22	49	RED12/06LOMD
2C-14-18	M14X1.5	M18X1.5	8	12	25	40	17	17	22	49	RED12/08LOMD
2C-16-18	M16X1.5	M18X1.5	10	12	26	41	17	19	22	51	RED12/10LOMD
2C-12-22	M12X1.5	M22X1.5	6	15	28.5	43	19	14	27	81	RED15/06LOMD
2C-14-22	M14X1.5	M22X1.5	8	15	28.5	43	19	17	27	85	RED15/08LOMD
2C-16-22	M16X1.5	M22X1.5	10	15	29.5	44	19	19	27	83	RED15/10LOMD
2C-18-22	M18X1.5	M22X1.5	12	15	29.5	44	19	22	27	83	RED15/12LOMD
2C-12-26	M12X1.5	M26X1.5	6	18	28	43	24	14	32	109	RED18/06LOMD
2C-22-26	M22X1.5	M26X1.5	15	18	30	45	24	27	32	115	RED18/15LOMD
2C-12-30	M12X1.5	M30X2	6	22	32	47	27	14	36	158	RED22/06LOMD
2C-14-30	M14X1.5	M30X2	8	22	32	47	27	17	36	158	RED22/08LOMD
2C-16-30	M16X1.5	M30X2	10	22	33	48	27	19	36	159	RED22/10LOMD
2C-18-30	M18X1.5	M30X2	12	22	33	48	27	22	36	157	RED22/12LOMD
2C-22-30	M22X1.5	M30X2	15	22	34	49	27	27	36	164	RED22/15LOMD
2C-26-30	M26X1.5	M30X2	18	22	33.5	50	27	32	36	167	RED22/18LOMD
2C-12-36	M12X1.5	M36X2	6	28	34	49	36	14	41	219	RED28/06LOMD
2C-14-36	M14X1.5	M36X2	8	28	34	49	36	17	41	221	RED28/08LOMD
2C-16-36	M16X1.5	M36X2	10	28	35	50	36	19	41	213	RED28/10LOMD
2C-18-36	M18X1.5	M36X2	12	28	35	50	36	22	41	213	RED28/12LOMD
2C-22-36	M22X1.5	M36X2	15	28	36	51	36	27	41	218	RED28/15LOMD
2C-26-36	M26X1.5	M36X2	18	28	35.5	52	36	32	41	220	RED28/18LOMD



**DIN Swivel Fitting/ DKO Swivel Connector**

2C-30-36	M30X2	M36X2	22	28	37.5	54	36	36	41	222	RED28/22LOMD
2C-12-45	M12X1.5	M45X2	6	35	37	52	41	14	50	318	RED35/06LOMD
2C-14-45	M14X1.5	M45X2	8	35	37	52	41	17	50	318	RED35/08LOMD
2C-16-45	M16X1.5	M45X2	10	35	38	53	41	19	50	318	RED35/10LOMD
2C-18-45	M18X1.5	M45X2	12	35	38	53	41	22	50	324	RED35/12LOMD
2C-22-45	M22X1.5	M45X2	15	35	39	54	41	27	50	328	RED35/15LOMD
2C-26-45	M26X1.5	M45X2	18	35	38.5	55	41	32	50	328	RED35/18LOMD
2C-30-45	M30X2	M45X2	22	35	40.5	57	41	36	50	331	RED35/22LOMD
2C-36-45	M36X2	M45X2	28	35	40.5	57	41	41	50	327	RED35/28LOMD
2C-16-52	M16X1.5	M52X2	10	42	41.5	56	50	19	60	537	RED42/10LOMD
2C-18-52	M18X1.5	M52X2	12	42	41.5	56	50	22	60	538	RED42/12LOMD
2C-22-52	M22X1.5	M52X2	15	42	42.5	58	50	27	60	534	RED42/15LOMD
2C-26-52	M26X1.5	M52X2	18	42	42	58	50	32	60	544	RED42/18LOMD
2C-30-52	M30X2	M52X2	22	42	44	60	50	36	60	543	RED42/22LOMD
2C-36-52	M36X2	M52X2	28	42	44	61	50	41	60	539	RED42/28LOMD
2C-45-52	M45X2	M52X2	35	42	43	65	50	50	60	541	RED42/35LOMD



**2C4/2D4** Dimension sheet of tube to swivel 45 degree elbow connector


REF: ISO 8434-1 SWOE45 DIN 3865/DIN 2353; Interchangeable into Parker EV

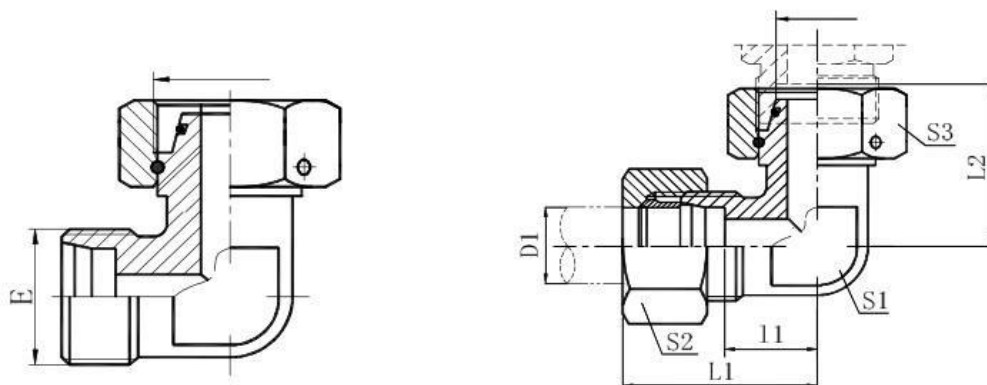
PART NO.	THREAD		TUBE O.D.		O O-RING	DIMENSIONS						weight g/1pc	Parker No.
	E	F	D1	D2		L1	L1	L2	S1	S2	S3		
<b>L SERIES</b>													
2C4-12	M12X1.5	M12X1.5	6	6	O04.5x1.5	10.5	25	23	11	14	14	37	EV06LOMD
2C4-14	M14X1.5	M14X1.5	8	8	O06.5x1.5	11	25.5	23.7	14	17	17	49	EV08LOMD
2C4-16	M16X1.5	M16X1.5	10	10	O08.0x1.5	12	26.5	23.5	16	19	19	77	EV10LOMD
2C4-18	M18X1.5	M18X1.5	12	12	O10.0x1.5	13	27.5	25.5	19	22	22	86	EV12LOMD
2C4-22	M22X1.5	M22X1.5	15	15	O12.0x2.0	15	30	26.6	22	27	27	144	EV15LOMD
2C4-26	M26X1.5	M26X1.5	18	18	O15.0x2.0	17.5	33.5	30	27	32	32	210	EV18LOMD
2C4-30	M30X2	M30X2	22	22	O20.0x2.0	19.5	35.5	33	30	36	36	270	EV22LOMD
2C4-36	M36X2	M36X2	28	28	O26.0x2.0	21.5	38	36	36	41	41	385	EV28LOMD
2C4-45	M45X2	M45X2	35	35	O32.0x2.5	25.5	47	45	48	50	50	805	EV35LOMD
2C4-52	M52X2	M52X2	42	42	O38.0x2.5	26	48.5	45.5	50	60	60	887	EV42LOMD
<b>S SERIES</b>													
2D4-14	M14X1.5	M14X1.5	6	6	O04.5x1.5	13	27.5	24	14	17	17	50	EV06SOMD
2D4-16	M16X1.5	M16X1.5	8	8	O06.5x1.5	13.5	28	25	16	19	19	80	EV08SOMD
2D4-18	M18X1.5	M18X1.5	10	10	O08.0x1.5	13.8	29.8	26	19	22	22	95	EV10SOMD
2D4-20	M20X1.5	M20X1.5	12	12	O10.0x1.5	14.5	30.5	27.5	19	24	24	137	EV12SOMD
2D4-22	M22X1.5	M22X1.5	14	14	O11.0x2.0	16	33.5	27.6	22	27	27	146	EV14SOMD
2D4-24	M24X1.5	M24X1.5	16	16	O13.0x2.0	16	34	36.5	22	30	30	217	EV16SOMD
2D4-30	M30X2	M30X2	20	20	O16.3x2.4	18.5	40	35	30	36	36	313	EV20SOMD
2D4-36	M36X2	M36X2	25	25	O20.3x2.4	19	43	52.5	36	46	46	529	EV25SOMD
2D4-42	M42X2	M42X2	30	30	O25.3x2.4	24	50.5	44.5	41	50	50	940	EV30SOMD
2D4-52	M52X2	M52X2	38	38	O33.3x2.4	25.5	56	48.5	50	60	60	1055	EV38SOMD





# DIN Swivel Fitting/ DKO Swivel Connector

## 2C9/2D9 Dimension sheet of tube to swivel elbow connector



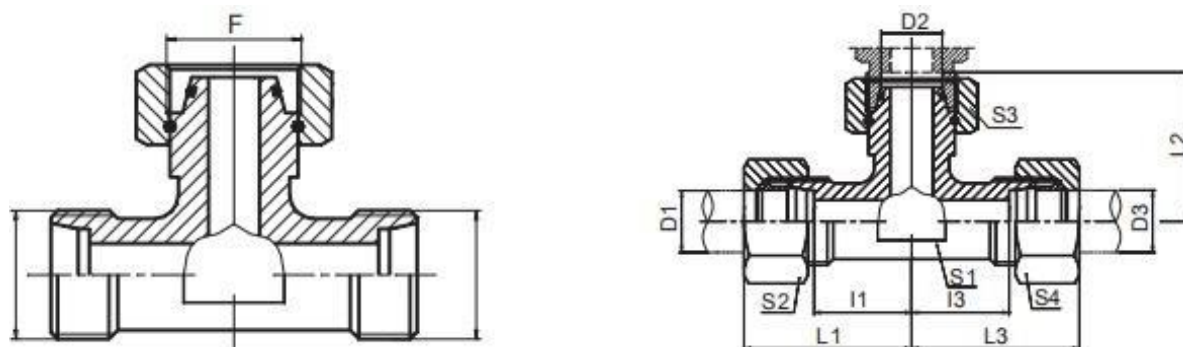
REF: ISO 8434-1 SWOE DIN 3865/DIN 2353; Interchangeable into Parker EW

PART NO.	THREAD		TUBE O.D.		DIMENSIONS						weig ht g/1p c	Parker No.
	E	F	D1	D2	l1	L1	L2	S1	S2	S3		
L SERIES												
2C9-12	M12X1.5	M12X1.5	6	6	12	27	26	12	14	14	34	EW06LOMD
2C9-14	M14X1.5	M14X1.5	8	8	14	29	27.5	12	17	17	43	EW08LOMD
2C9-16	M16X1.5	M16X1.5	10	10	15	30	29	14	19	19	58	EW10LOMD
2C9-18	M18X1.5	M18X1.5	12	12	17	32	29.5	17	22	22	81	EW12LOMD
2C9-22	M22X1.5	M22X1.5	15	15	21	36	32.5	19	27	27	128	EW15LOMD
2C9-26	M26X1.5	M26X1.5	18	18	23.5	40	35.5	24	32	32	197	EW18LOMD
2C9-30	M30X2	M30X2	22	22	27.5	44	38.5	27	36	36	258	EW22LOMD
2C9-36	M36X2	M36X2	28	28	30.5	47	41.5	36	41	41	370	EW28LOMD
2C9-45	M45X2	M45X2	35	35	34.5	56	51	41	50	50	593	EW35LOMD
2C9-52	M52X2	M52X2	42	42	40	63	56	50	60	60	993	EW42LOMD
S SERIES												
2D9-14	M14X1.5	M14X1.5	6	6	16	31	27	12	17	17	48	EW06SOMD
2D9-16	M16X1.5	M16X1.5	8	8	17	32	27.5	14	19	19	65	EW08SOMD
2D9-18	M18X1.5	M18X1.5	10	10	17.5	34	30	17	22	22	92	EW10SOMD
2D9-20	M20X1.5	M20X1.5	12	12	21.5	38	31	17	24	24	107	EW12SOMD
2D9-22	M22X1.5	M22X1.5	14	14	22	40	35	19	27	27	146	EW14SOMD
2D9-24	M24X1.5	M24X1.5	16	16	24.5	43	36.5	24	30	30	212	EW16SOMD
2D9-30	M30X2	M30X2	20	20	26.5	48	44.5	27	36	36	309	EW20SOMD
2D9-36	M36X2	M36X2	25	25	30	54	50	36	46	46	547	EW25SOMD
2D9-42	M42X2	M42X2	30	30	35.5	62	55	41	50	50	744	EW30SOMD
2D9-52	M52X2	M52X2	38	38	41	72	63	50	60	60	1222	EW38SOMD



# DIN Swivel Fitting/ DKO Swivel Connector

## BC/BD Dimension sheet of tube to swivel branch tee connector



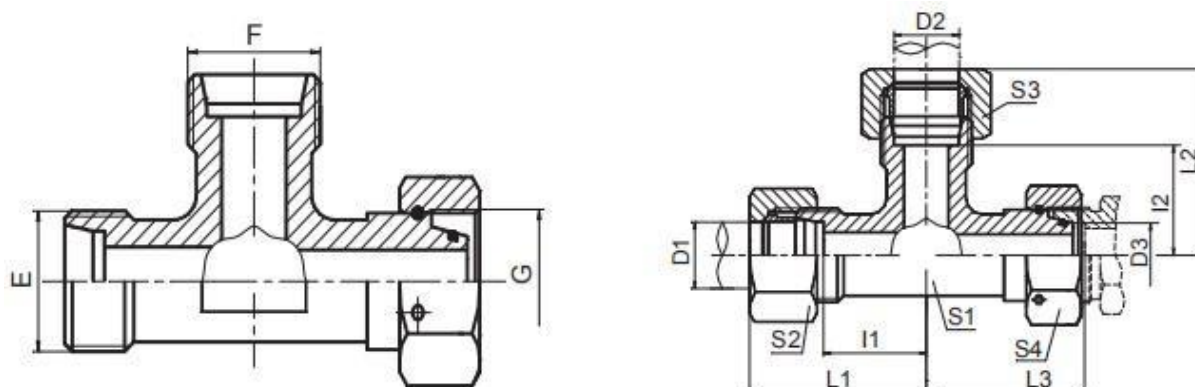
REF: ISO 8434-1 SWOBT DIN 3865/DIN 2353; Interchangeable into Parker ET

PART NO.	THREAD		TUBE O.D.		DIMENSIONS						weight	Parker No.
	E,G	F	D1,D3	D2	I1,I3	L1,L3	L2	S1	S2,S4	S3	g/1pc	
L SERIES												
BC-12	M12X1.5	M12X1.5	6	6	12	27	26	12	14	14	42	ET06LOMD
BC-14	M14X1.5	M14X1.5	8	8	14	29	27.5	12	17	17	53	ET08LOMD
BC-16	M16X1.5	M16X1.5	10	10	15	30	29	14	19	19	71	ET10LOMD
BC-18	M18X1.5	M18X1.5	12	12	17	32	29.5	17	22	22	97	ET12LOMD
BC-22	M22X1.5	M22X1.5	15	15	21	36	32.5	19	27	27	159	ET15LOMD
BC-26	M26X1.5	M26X1.5	18	18	23.5	40	35.5	24	32	32	239	ET18LOMD
BC-30	M30X2	M30X2	22	22	27.5	44	38.5	27	36	36	308	ET22LOMD
BC-36	M36X2	M36X2	28	28	30.5	47	41.5	36	41	41	449	ET28LOMD
BC-45	M45X2	M45X2	35	35	34.5	56	51	41	50	50	679	ET35LOMD
BC-52	M52X2	M52X2	42	42	40	63	56	50	60	60	1131	ET42LOMD
S SERIES												
BD-14	M14X1.5	M14X1.5	6	6	16	31	27	12	17	17	63	ET06SOMD
BD-16	M16X1.5	M16X1.5	8	8	17	32	27.5	14	19	19	79	ET08SOMD
BD-18	M18X1.5	M18X1.5	10	10	17.5	34	30	17	22	22	113	ET10SOMD
BD-20	M20X1.5	M20X1.5	12	12	21.5	38	31	17	24	24	136	ET12SOMD
BD-22	M22X1.5	M22X1.5	14	14	22	40	35	19	27	27	173	ET14SOMD
BD-24	M24X1.5	M24X1.5	16	16	24.5	43	36.5	24	30	30	239	ET16SOMD
BD-30	M30X2	M30X2	20	20	26.5	48	44.5	27	36	36	388	ET20SOMD
BD-36	M36X2	M36X2	25	25	30	54	50	36	46	46	652	ET25SOMD
BD-42	M42X2	M42X2	30	30	35.5	62	55	41	50	50	905	ET30SOMD
BD-52	M52X2	M52X2	38	38	41	72	63	50	60	60	1462	ET38SOMD



# DIN Swivel Fitting/ DKO Swivel Connector

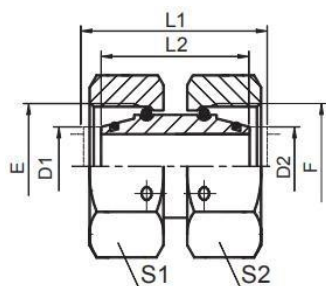
## CC/CD Dimension sheet of tube to swivel run tee connector



REF: ISO 8434-1 SWORT DIN 3865/DIN 2353; Interchangeable into Parker EL

PART NO.	THREAD		TUBEO.D.		DIMENSIONS						weight	Parker No.
	E,F	G	D1,D2	D3	I1,I2	L1,L2	L3	S1	S2,S3	S4	g/1pc	
L SERIES												
CC-12	M12X1.5	M12X1.5	6	6	12	27	26	12	14	14	44	EL06LOMD
CC-14	M14X1.5	M14X1.5	8	8	14	29	27.5	12	17	17	53	EL08LOMD
CC-16	M16X1.5	M16X1.5	10	10	15	30	29	14	19	19	68	EL10LOMD
CC-18	M18X1.5	M18X1.5	12	12	17	32	29.5	17	22	22	95	EL12LOMD
CC-22	M22X1.5	M22X1.5	15	15	21	36	32.5	19	27	27	151	EL15LOMD
CC-26	M26X1.5	M26X1.5	18	18	23.5	40	35.5	24	32	32	233	EL18LOMD
CC-30	M30X2	M30X2	22	22	27.5	44	38.5	27	36	36	309	EL22LOMD
CC-36	M36X2	M36X2	28	28	30.5	47	41.5	36	41	41	436	EL28LOMD
CC-45	M45X2	M45X2	35	35	34.5	56	51	41	50	50	666	EL35LOMD
CC-52	M52X2	M52X2	42	42	40	63	56	50	60	60	1163	EL42LOMD
S SERIES												
CD-14	M14X1.5	M14X1.5	6	6	16	31	27	12	17	17	65	EL06SOMD
CD-16	M16X1.5	M16X1.5	8	8	17	32	27.5	14	19	19	84	EL08SOMD
CD-18	M18X1.5	M18X1.5	10	10	17.5	34	30	17	22	22	118	EL10SOMD
CD-20	M20X1.5	M20X1.5	12	12	21.5	38	31	17	24	24	136	EL12SOMD
CD-22	M22X1.5	M22X1.5	14	14	22	40	35	19	27	27	173	EL14SOMD
CD-24	M24X1.5	M24X1.5	16	16	24.5	43	36.5	24	30	30	260	EL16SOMD
CD-30	M30X2	M30X2	20	20	26.5	48	44.5	27	36	36	375	EL20SOMD
CD-36	M36X2	M36X2	25	25	30	54	50	36	46	46	655	EL25SOMD
CD-42	M42X2	M42X2	30	30	35.5	62	55	41	50	50	906	EL30SOMD
CD-52	M52X2	M52X2	38	38	41	72	63	50	60	60	1472	EL38SOMD



**3C/3D** Dimension sheet of swivel to swivel straight connector


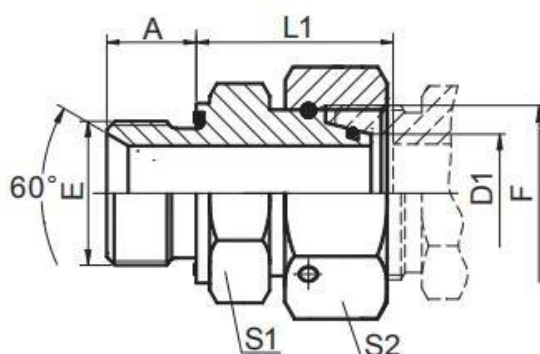
REF: ISO 8434-1 DIN 3865/DIN 2353; Interchangeable into Parker GZ

PART NO.	THREAD	TUBE OD	DIMENSIONS			weight	Parker No.
	E,F	D1,D2	L1	L2	S1,S2	g/1pc	
<b>L SERIES</b>							
3C-12	M12X1.5	6	33	32	14	28	GZ06L
3C-14	M14X1.5	8	33	32	17	41	GZ08L
3C-16	M16X1.5	10	34	33	19	53	GZ10L
3C-18	M18X1.5	12	34	33	22	71	GZ12L
3C-22	M22X1.5	15	39	38	27	129	GZ15L
3C-26	M26X1.5	18	41	39	32	165	GZ18L
3C-30	M30X2	22	44	42	36	243	GZ22L
3C-36	M36X2	28	48	46	46	319	GZ28L
3C-45	M45X2	35	52	48	50	449	GZ35L
3C-52	M52X2	42	57	52	60	737	GZ42L
<b>S SERIES</b>							
3D-14	M14X1.5	6	33	32	17	41	GZ06S
3D-16	M16X1.5	8	34	33	19	54	GZ08S
3D-18	M18X1.5	10	35	33	22	74	GZ10S
3D-20	M20X1.5	12	38	36	24	95	GZ12S
3D-22	M22X1.5	14	41	39	27	131	GZ14S
3D-24	M24X1.5	16	42	39	30	172	GZ16S
3D-30	M30X2	20	48	44	36	261	GZ20S
3D-36	M36X2	25	53	46	46	477	GZ25S
3D-42	M42X2	30	62	52	50	605	GZ30S
3D-52	M52X2	38	67	52	60	826	GZ38S



## DIN Swivel Fitting/ DKO Swivel Connector

**2BC/2BD-WD** Dimension Male BSPP Stub ISO 1179-2 ED seal to swivel straight connector



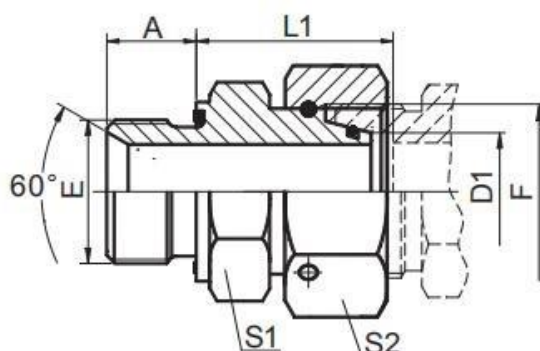
REF: ISO 8434-1 SWSDS/DIN 3865/DIN 2353; Interchangeable into Parker EGE-R-ED

PART NO.	THREAD		TUBE OD	DIMENSIONS				weight	Parker No.
	E	F	D1	A	L1	S1	S2	g/1pc	
L SERIES									
2BC-02-12WD	G1/8"X28	M12X1.5	6	8	24.5	14	14	27	EGE06LRED
2BC-04-14WD	G1/4"X19	M14X1.5	8	12	29.5	19	17	28	EGE08LRED
2BC-04-16WD	G1/4"X19	M16X1.5	10	12	27.5	19	19	54	EGE10LRED
2BC-06-18WD	G3/8"X19	M18X1.5	12	12	34	22	22	95	EGE12LRED
2BC-08-22WD	G1/2"X14	M22X1.5	15	14	32	27	27	137	EGE15LRED
2BC-08-26WD	G1/2"X14	M26X1.5	18	14	31.5	27	32	143	EGE18LRED
2BC-12-30WD	G3/4"X14	M30X2	22	16	32.5	32	36	200	EGE22LRED
2BC-16-36WD	G1"X11	M36X2	28	18	35	41	41	289	EGE28LRED
2BC-20-45WD	G1.1/4"X11	M45X2	35	20	42.5	50	50	500	EGE35LRED
2BC-24-52WD	G1.1/2"X11	M52X2	42	22	46.5	55	60	718	EGE42LRED
S SERIES									
2BD-04-14WD	G1/4"X19	M14X1.5	6	12	27	19	17	53	EGE06SRED
2BD-04-16WD	G1/4"X19	M16X1.5	8	12	29.5	19	19	64	EGE08SRED
2BD-06-18WD	G3/8"X19	M18X1.5	10	12	32	22	22	93	EGE10SRED
2BD-06-20WD	G3/8"X19	M20X1.5	12	12	34	22	24	100	EGE12SRED
2BD-08-22WD	G1/2"X14	M22X1.5	14	14	36.5	27	27	157	EGE14SRED
2BD-08-24WD	G1/2"X14	M24X1.5	16	14	37	27	30	170	EGE16SRED
2BD-12-30WD	G3/4"X14	M30X2	20	16	43	32	36	273	EGE20SRED
2BD-16-36WD	G1"X11	M36X2	25	18	48	41	46	493	EGE25SRED
2BD-20-42WD	G1.1/4"X11	M42X2	30	20	51	50	50	691	EGE30SRED
2BD-24-52WD	G1.1/2"X11	M52X2	38	22	60	55	60	934	EGE38SRED



## DIN Swivel Fitting/ DKO Swivel Connector

**2MC/2MD-WD** Dimension sheet of Male Metric Stub ISO 9974-2 ED seal to swivel straight connector



REF: ISO 8434-1 SWSDS/DIN 3865/DIN 2353; Interchangeable into Parker EGE-M-ED

PART NO.	THREAD		TUBE O.D.	DIMENSIONS				weight	Parker No.
	E	F	D1	A	L1	S1	S2	g/1pc	
L SERIES									
2MC-10-12WD	M10X1	M12X1.5	6	8	24.5	14	14	27	EGE06LMED
2MC-12-14WD	M12X1.5	M14X1.5	8	12	26.5	17	17	45	EGE08LMED
2MC-14-16WD	M14X1.5	M16X1.5	10	12	27.5	19	19	57	EGE10LMED
2MC-16-18WD	M16X1.5	M18X1.5	12	12	30.5	22	22	82	EGE12LMED
2MC-18-22WD	M18X1.5	M22X1.5	15	12	31.5	24	27	113	EGE15LMED
2MC-22-26WD	M22X1.5	M26X1.5	18	14	31.5	27	32	148	EGE18LMED
2MC-26-30WD	M26X1.5	M30X2	22	16	32.5	32	36	203	EGE22LMED
2MC-33-36WD	M33X2	M36X2	28	18	35	41	41	289	EGE28LMED
2MC-42-45WD	M42X2	M45X2	35	20	42.5	50	50	511	EGE35LMED
2MC-48-52WD	M48X2	M52X2	42	22	46.5	55	60	711	EGE42LMED
S SERIES									
2MD-12-14WD	M12X1.5	M14X1.5	6	12	27	17	17	47	EGE06SMED
2MD-14-16WD	M14X1.5	M16X1.5	8	12	29.5	19	19	65	EGE08SMED
2MD-16-18WD	M16X1.5	M18X1.5	10	12	32	22	22	91	EGE10SMED
2MD-18-20WD	M18X1.5	M20X1.5	12	12	34	24	24	112	EGE12SMED
2MD-20-22WD	M20X1.5	M22X1.5	14	14	36.5	27	27	153	EGE14SMED
2MD-22-24WD	M22X1.5	M24X1.5	16	14	37	27	30	174	EGE16SMED
2MD-27-30WD	M27X2	M30X2	20	16	43	32	36	274	EGE20SMED
2MD-33-36WD	M33X2	M36X2	25	18	48	41	46	497	EGE25SMED
2MD-42-42WD	M42X2	M42X2	30	20	51	50	50	691	EGE30SMED
2MD-48-52WD	M48X2	M52X2	38	22	60	55	60	957	EGE38SMED



**One Stop solutions for all your  
Hydraulics fittings needs**

**Contact *VOTH* Hydromatics today**

**[www.delta-enterprise.co.in](http://www.delta-enterprise.co.in)**

